

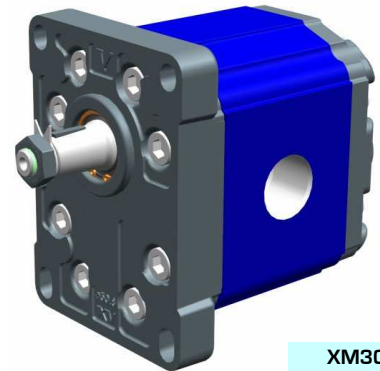
# reversible motor - series XV

**XV-3M**

**STANDARD EUROPEAN MOTOR  
ø50.8 FLANGE - TAPER SHAFT**

**X 3 M 78 01 A E E E**

Series	X	series XV
Group	3	group 3
Category	M	reversible motor
Displacement	78	38
Flange	01	ø50.8 reversible rotation
Shaft	A	CO001 - Tapered 1:8 - ø22 - key thk.4
Body	IN	inlet - 1" BSP
	OUT	outlet - 1" BSP
Cover	E	with external drainage



**XM302**

**Technical data table**

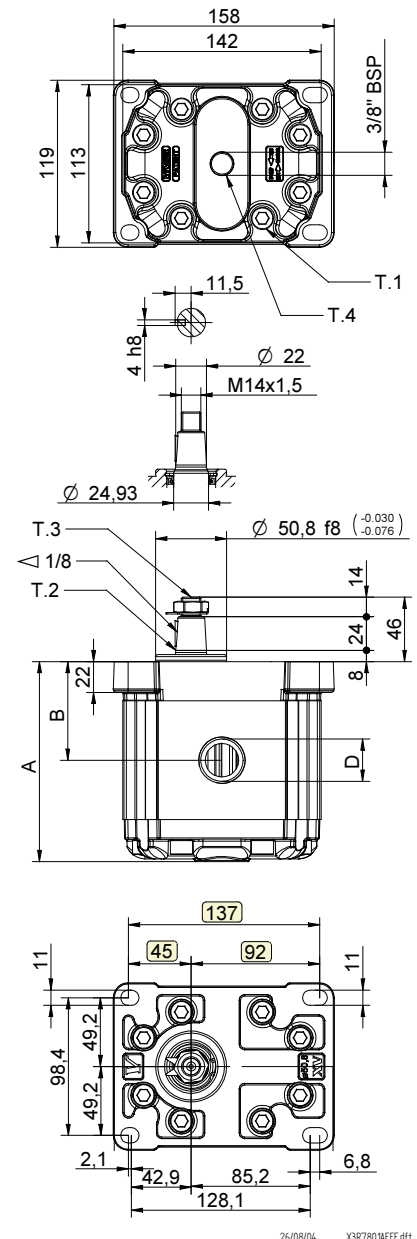
TYPE	Displacement cm <sup>3</sup> /rev	Max. Pressure		CODE	
		P1 bar	P3 bar	External drainage	Internal drainage
XV-3M/15	14,89	250	270	X 3 M 66 01 A D D E	X 3 M 66 01 A D D F
XV-3M/18	17,37	250	270	X 3 M 68 01 A D D E	X 3 M 68 01 A D D F
XV-3M/21	21,10	250	270	X 3 M 70 01 A D D E	X 3 M 70 01 A D D F
XV-3M/27	26,97	250	270	X 3 M 72 01 A E E E	X 3 M 72 01 A E E F
XV-3M/32	32,27	250	270	X 3 M 74 01 A E E E	X 3 M 74 01 A E E F
XV-3M/38	38,47	250	270	X 3 M 78 01 A E E E	X 3 M 78 01 A E E F
XV-3M/43	43,44	250	270	X 3 M 79 01 A E E E	X 3 M 79 01 A E E F
XV-3M/47	47,16	230	250	X 3 M 80 01 A E E E	X 3 M 80 01 A E E F
XV-3M/51	50,88	230	250	X 3 M 81 01 A E E E	X 3 M 81 01 A E E F
XV-3M/54	54,60	230	250	X 3 M 82 01 A E E E	X 3 M 82 01 A E E F
XV-3M/61	60,81	230	250	X 3 M 83 01 A F F E	X 3 M 83 01 A F F F
XV-3M/64	64,53	210	230	X 3 M 85 01 A F F E	X 3 M 85 01 A F F F
XV-3M/70	70,74	200	220	X 3 M 86 01 A F F E	X 3 M 86 01 A F F F
XV-3M/74	74,46	180	200	X 3 M 87 01 A F F E	X 3 M 87 01 A F F F
XV-3M/90	86,87	150	170	X 3 M 89 01 A F F E	X 3 M 89 01 A F F F

P1) Max. working pressure - P3) Max. peak pressure

For heavy-duty applications, it is recommended to check the admissible torque of the shaft

**Dimensions table**

TYPE	Weight	A	B	D	D
	kg	mm	mm	IN	OUT
XV-3M/15	7,010	122,0	61,0	3/4" BSPP	3/4" BSPP
XV-3M/18	7,070	124,0	62,0	3/4" BSPP	3/4" BSPP
XV-3M/21	7,150	127,0	63,5	3/4" BSPP	3/4" BSPP
XV-3M/27	7,250	131,0	65,5	1" BSPP	1" BSPP
XV-3M/32	7,390	136,0	68,0	1" BSPP	1" BSPP
XV-3M/38	7,520	141,0	70,5	1" BSPP	1" BSPP
XV-3M/43	7,630	145,0	72,5	1" BSPP	1" BSPP
XV-3M/47	7,710	148,0	74,0	1" BSPP	1" BSPP
XV-3M/51	7,790	151,0	75,5	1" BSPP	1" BSPP
XV-3M/54	7,870	154,0	77,0	1" BSPP	1" BSPP
XV-3M/61	8,010	159,0	79,5	1" 1/4 BSPP	1" 1/4 BSPP
XV-3M/64	8,090	162,0	81,0	1" 1/4 BSPP	1" 1/4 BSPP
XV-3M/70	8,220	167,0	83,5	1" 1/4 BSPP	1" 1/4 BSPP
XV-3M/74	8,300	170,0	85,0	1" 1/4 BSPP	1" 1/4 BSPP
XV-3M/90	8,570	180,0	90,0	1" 1/4 BSPP	1" 1/4 BSPP



T.1 = 60÷65 [Nm] - screw tightening torque M10

T.3 = 75 [Nm] - torque wrench setting 22

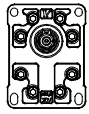
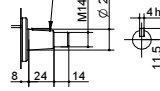
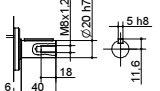
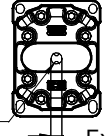
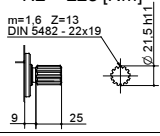
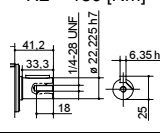
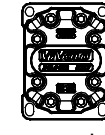
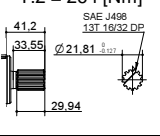
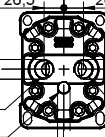
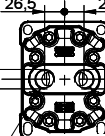
T.2 = 482 [Nm] - admissible shaft torque (N.B. When choosing a shaft, always check the admissible torque).

**T.4 = 0.3÷0.5 bar - max. drainage pressure**

# Table of variations

# XV-3M

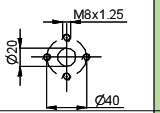
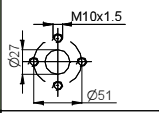
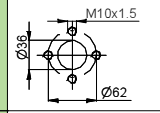
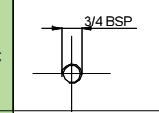
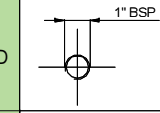
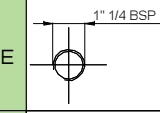
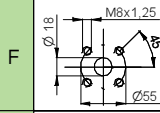
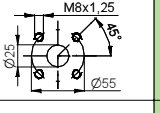
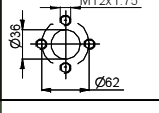
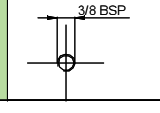
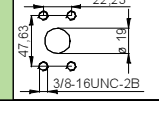
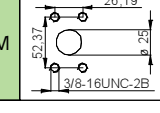
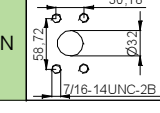
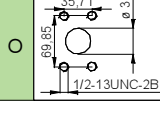
## ø50.8 FLANGE

ø50.8 FLANGE		Shaft		Cover			
	01	CO001 - Tapered T.2 = 482 [Nm] 	A	CI001 - Parallel T.2 = 181 [Nm] 	B	 External drainage	E
		SCF03 - Splined T.2 = 223 [Nm] 	C	CI004 - Parallel T.2 = 180 [Nm] 	H	 Internal drainage	F
		SCF04 - Splined T.2 = 264 [Nm] 	I			 IN + OUT + external	K
						 IN + OUT + internal	L

Displacement	
TYPE	CODE
XV-3M/15	66
XV-3M/18	68
XV-3M/21	70
XV-3M/27	72
XV-3M/32	74
XV-3M/38	78
XV-3M/43	79
XV-3M/47	80
XV-3M/51	81
XV-3M/54	82
XV-3M/61	83
XV-3M/64	85
XV-3M/70	86
XV-3M/74	87
XV-3M/90	89

Standard bodies				
Displacement cm <sup>3</sup> /rev	Standard threads			
	15	A - A	D - D	H - H
18	A - A	D - D	H - H	
21	A - A	D - D	H - H	
27	A - A	E - E	H - H	
32	B - B	E - E	H - H	
38	B - B	E - E	H - H	
43	B - B	E - E	H - H	
47	B - B	E - E	H - H	
51	B - B	E - E	H - H	
54	B - B	E - E	H - H	
61	C - C	F - F		
64	C - C	F - F		
70	C - C	F - F		
74	C - C	F - F		
90	C - C	F - F		

Table showing standard flange and thread combinations available in stock

Body (threads/flanges)													
	A		B		C		D		E		F		G
	H		I		L		M		N		O		P
Closed Body	Z												